



Moon Visions Lighting

LED 14W PAR30

Solid State LED PAR30 14W Lamp

Features:

- 12 Super Bright LED's operating at 1.22 Watts
- Direct Lamp Replacement
- Built-in fan for extra heat dissipation
- Low Heat generation with excellent heat sinks
- No UV Light Radiation
- Not Dimmable
- 3 Year Warranty
- Power Consumption = 14 Watts
- 100W Halogen/Mercury Vapor Equivalent
- Beam Angle = SP 15°, NFL 25°, FL 40°
- 5000K Cool White (1390 lumens typical)
- 3500K Warm White (1300 lumens typical)
- Optional Spread and Green lenses available

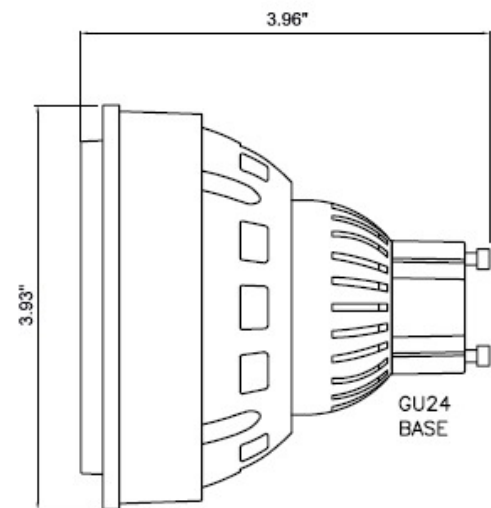
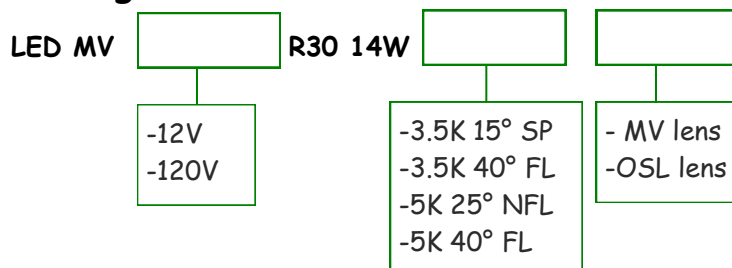
12V Specifications:

- Unique 12V GU24 Twist-Lock base allows for maximum pin contact as well as "locked" socket to insure lamp security
- GU24 Base for high vibration tolerances and high heat tolerances
- Low voltage system requires transformer
- Please note this lamp is compatible with both magnetic and electronic transformers

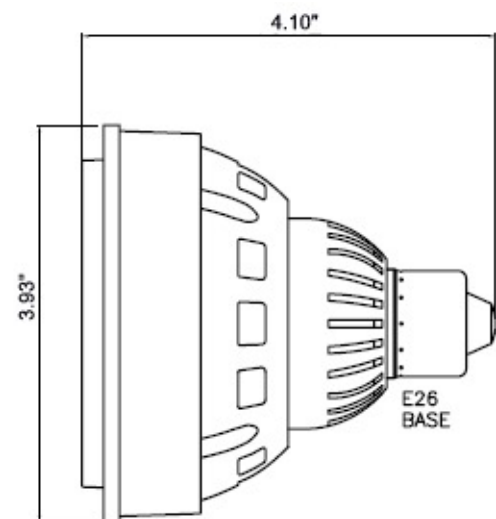
120V Specifications:

- 120V E26 Medium Base
- No separate driver needed
- Direct lamp replacement

Ordering Information:



LED MV 12V R30 14W



LED MV 120V R30 14W