



Moon Visions Bullet Series

Lamp Types: Mercury Vapor, Moon Pulse, Metal Halide, Fluorescent, LED, and Incandescent.

Housing: 380 Aluminum alloy die cast.

Downshield: Required for use as downlight. Fabricated steel material. Angle-cut (DSA) or straight tube (DST) shields. Downlights do not require lenses.

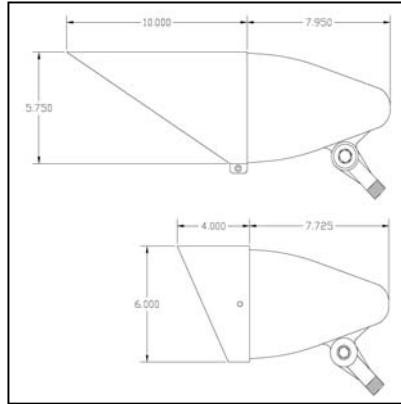
Upshield: Required for use as an uplight. Die cast aluminum with heat resistant crystal tempered convex glass lens. Sealed with 50 year-life silicon solution and high temperature silicone sponge gaskets. Positive stainless screw mount attachment. Angle-cut (USR) or straight tube (UST) available.

Knuckle: Forward placement for better balance. Adjustable in 7.5° increments for precise aiming. 1/2" NPSM threaded arm. Knuckle may be threaded into Myer's Hubs, Tree Mounts, Surface Mounts, Ground Stakes, or Junction Boxes.

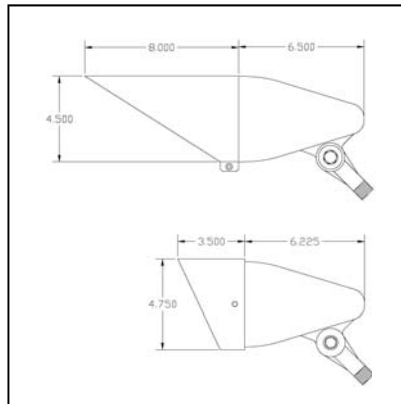
Finish: Super polyester Duracoat™ powder coat with 5 year warranty. South Florida exposure rating for 5 years. Powder coated inside and outside with **DuraLune™ Electro-Coating** application underneath. Standard finishes are Hartford Green (HGT) and Bronze (BZT).

Socket: Leviton 4KV Pulse rated 600V porcelain lampholders with 25% more lamp contact area than Chinese sockets.

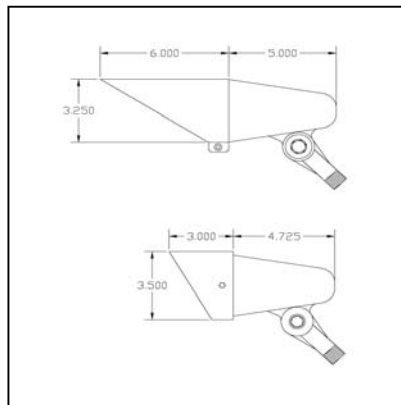
Optics: BR40 available with Flood (FL) or Spot (SP) optics for use with MP or MH E17 shaped lamps and spiral fluorescents.



BR40 Series



BR30 Series



BR20 Series



Moon Visions Bullet Series Ordering Guide

Bullet Series	Optics	Finish	Shields & Accessories
BR40	R40 Reflector Lamps MV-175W R40 Max MP-100W R40 Max R38 PAR Lamps LED-22W PAR38 Max INC-250W PAR38 Max Fluor-23W PAR38 Max FL Flood Reflector-65° MV-175W E17 Max MH-175W E17 Max MP-175W E17 Max SP Spot Reflector-39° MV-175W E17 Max MH-175W E17 Max MP-175W E17 Max	-HGT Hartford Green Texture -BZT Bronze Texture	DSA10-10" Angled Downshield DST10-5.75" Straight Tube Downshield USR40-4" Cast Angled Upshield UST40-5" Tube Upshield with debris guard TM-Tree Mount with mounting hardware TMB-Tree Mount Box with mounting hardware LGS-Large Ground Stake for Uplighting only INL-Internal Hexcell Louver
BR30	R30 Reflector Lamps MV-100W R30 Max MP-100W R30 Max R30 PAR Lamps LED-14W PAR30 Max MH-70W PAR30 Max INC-75W PAR30 Max Fluor-15W PAR30 Max	-HGT Hartford Green Texture -BZT Bronze Texture	DSA8-8" Angled Downshield DST8-4.5" Straight Tube Downshield USR30-3.5" Cast Angled Upshield UST30-4" Tube Upshield with debris guard TM-Tree Mount with mounting hardware TMB-Tree Mount Box with mounting hardware LGS-Large Ground Stake for Uplighting only INL-Internal Hexcell Louver
BR20	R20 Reflector Lamps MV-50W R20 Max MP-50W R20 Max R20 PAR Lamps LED- 5W PAR20 Max MH-35W PAR20 Max INC-50W PAR20 Max Fluor-11W PAR20 Max	-HGT Hartford Green Texture -BZT Bronze Texture	DSA6-6" Angled Downshield DST6-4" Straight Tube Downshield USR20-3" Cast Angled Upshield UST20-3" Tube Upshield with debris guard TM-Tree Mount with mounting hardware TMB-Tree Mount Box with mounting hardware LGS-Large Ground Stake for Uplighting only INL-Internal Hexcell Louver

Ballast: Required for Moon Pulse and Metal Halide lamps. Universal Lighting Technologies ballast housed in 6"x7"x4" steel box (for single ballast setups) or a 6"x12"x4" steel box (for double ballast setups). Ballast box is powder coated the same color as the fixture with the same 5 year warranty. Each MP or MH lamp requires one ballast. Wattage of the ballast must match the wattage of the lamp used.

Ballast	Wattage	Lamp	Voltage	Finish	Hub Mount
RB (Remote Box)	175	MH, MV	MT (120, 208, 240, 277V)	HGT BZT	H
	100	MH, MP			
	70				
	50				
	35	MH			



Tree Mount



Tree Mount Box



LGS



RB Single



RB w/ Hub



2RB Double



Project Name: _____ Fixture Type: _____

Catalog Part Number: _____

BR40 R40 Lamp Options

Mercury Vapor & Moon Pulse Lamps for use with Metal Halide Ballasts

- HR175/R40 175W R40 MV (5700K)
 - HR100PS/R40 100W R40 MP (5700K)
 - H175/E17 175W E17 MV (5700K) - use with FL/SP optics
 - H100/PS/E17 100W E17 MP (5700K) - use with FL/SP optics
-

Metal Halide Lamps

- MH175/U/MED 175W E17 MH—use with FL/SP optics
 - MH100/U/MED 100W E17 MH—use with FL/SP optics
 - MH70/U/MED 70W E17 MH—use with FL/SP optics
 - MH50/U/MED 50W E17 MH—use with FL/SP optics
-

LED Lamps

- LED MV R38 22W 5K 22W R38 Cool White (5000K)
 - 18 LEDs at 1.22 watts each
 - Available as 12V or 120V (remote transformer required for 12V applications)
 - Rated Life = 50,000 hours
 - Warranty = 3 Years
 - Available in 25° (NFL) and 40° (FL) beam spreads
 - LED MV R38 22W 3.5K 22W R38 Warm White (3500K)
 - 18 LEDs at 1.22 watts each
 - Available as 12V or 120V (remote transformer required for 12V applications)
 - Rated Life = 50,000 hours
 - Warranty = 3 Years
 - Available in 40° (FL) beam spread
-

Halogen Lamps

- 90PAR38/FL/H 90 watt 130V Halogen 30° Flood
 - 90PAR38/SP/H 90 watt 130V Halogen 10° Spot
-

Fluorescent Lamps

- CFL 30W 6500K Spiral Use with flood reflector for best results—Cool White
- CFL 30W 2700K Spiral Use with flood reflector for best results—Warm White
- 23W PAR38 5000K Equivalent to 75 watt halogen—Cool White
- 23W PAR38 2700K Equivalent to 75 watt halogen—Warm White