



BR40 Bullets with Flood (FL) / Spot (SP) Optics

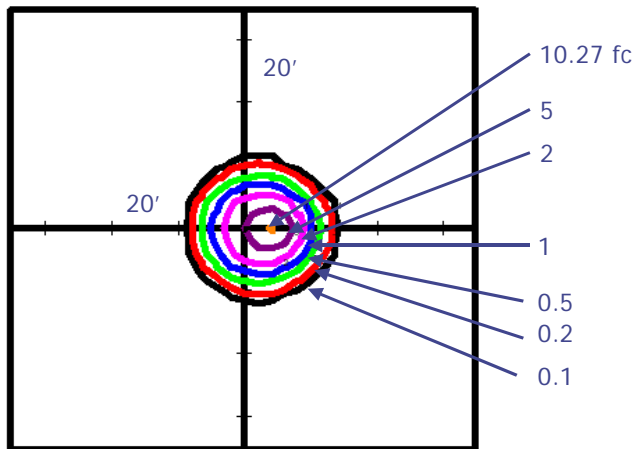
Another great feature of the new Moon Visions line is the option of various optics. The BR40 (R40) bullets may be ordered with flood or spot optics:

BR40-FL R40 Bullet with 65° Flood Optics
BR40-SP R40 Bullet with 39° Spot Optics

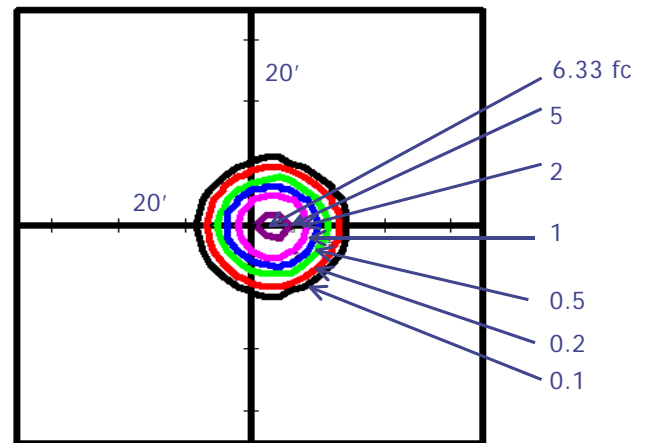
Why use the FL or SP optics in a bullet fixture?

- The lumen output of a 100W MV FL is equivalent to a 175W MV R40
- Great to use when there is limited current available
- Because of its hot center, it produces a crisp and sparkly effect
- Any existing R40 bullet in the field can be converted to a FL/SP by simply using a mounting adapter plus the optic bowl
- Use FL optics with up to 32 watt fluorescent spiral lamps for even brighter effect
- Use SP optics to illuminate flag poles, feature spots, etc.

Photometrics of 175W/E17
with FL reflector at 30 feet



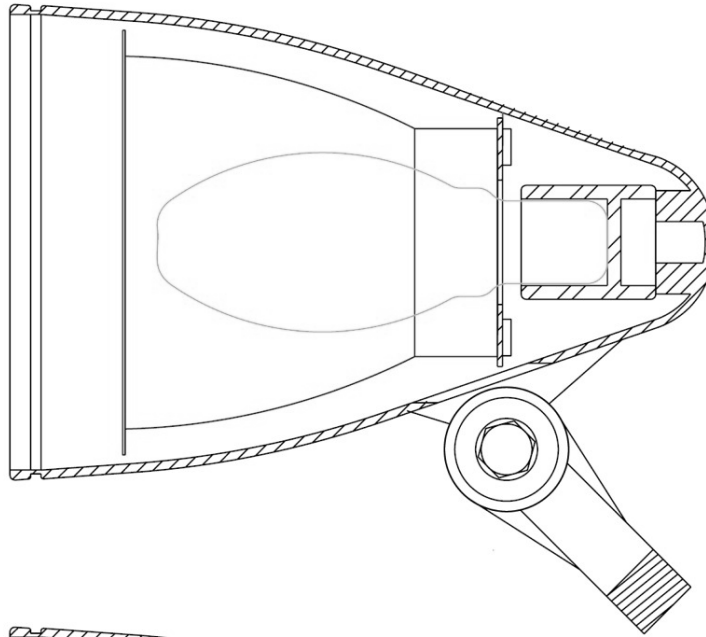
Photometrics of standard
175W R40 at 30 feet



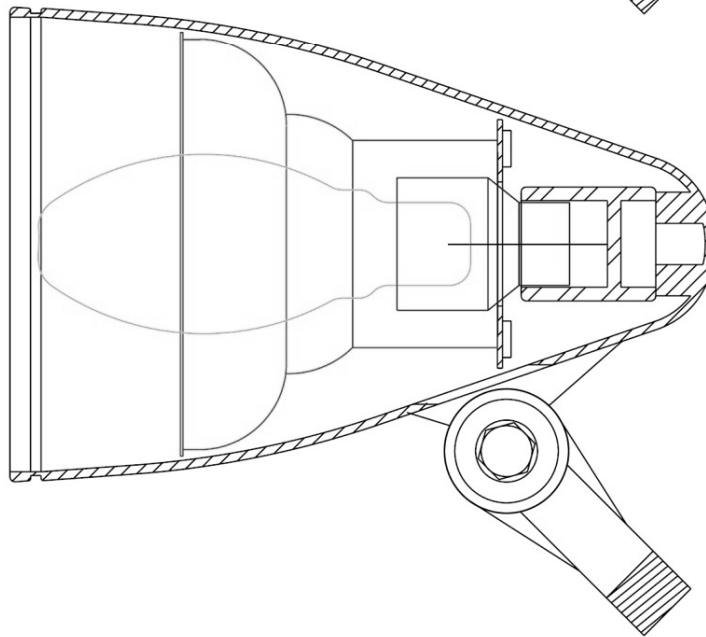
Notice how the light is more focused in the center with the reflector (picture on the left) than with a regular R40 lamp (picture on the right), although both are 175 watts. The intensity of the light is much stronger with the FL reflector giving a “sparkling” effect of light.

Drawing of Bullet with FL/SP Optics Inside

Flood
Optics



Spot
Optics



Project Name: _____ Fixture Type: _____

Catalog Part Number: _____