



# Moon Visions Bullet Series

**Lamp Types:** Mercury Vapor, Moon Pulse, Metal Halide, Fluorescent, LED, and Incandescent.

**Housing:** 380 Aluminum alloy die cast.

**Downshield:** Required for use as downlight. Fabricated steel material. Angle-cut (DSA) or straight tube (DST) shields. Downlights do not require lenses.

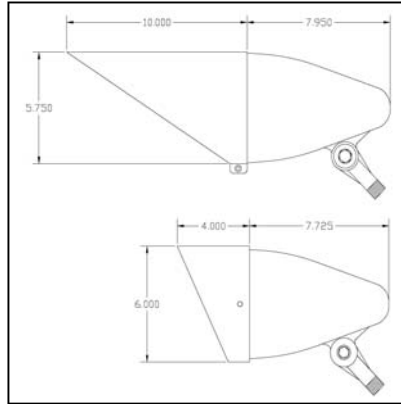
**Upshield:** Required for use as an uplight. Die cast aluminum with heat resistant crystal tempered convex glass lens. Sealed with 50 year-life silicon solution and high temperature silicone sponge gaskets. Positive stainless screw mount attachment. Angle-cut (USR) or straight tube (UST) available.

**Knuckle:** Forward placement for better balance. Adjustable in 7.5° increments for precise aiming. 1/2" NPSM threaded arm. Knuckle may be threaded into Myer's Hubs, Tree Mounts, Surface Mounts, Ground Stakes, or Junction Boxes.

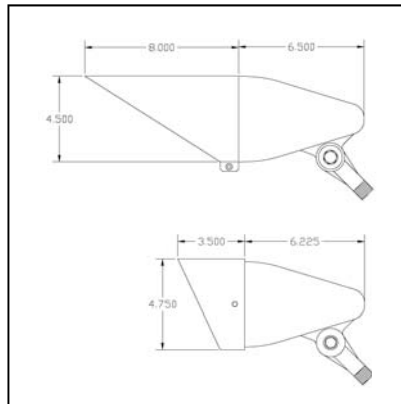
**Finish:** Super polyester Duracoat™ powder coat with 5 year warranty. South Florida exposure rating for 5 years. Powder coated inside and outside with **DuraLune™ Electro-Coating** application underneath. Standard finishes are Hartford Green (HGT) and Bronze (BZT).

**Socket:** Leviton 4KV Pulse rated 600V porcelain lampholders with 25% more lamp contact area than Chinese sockets.

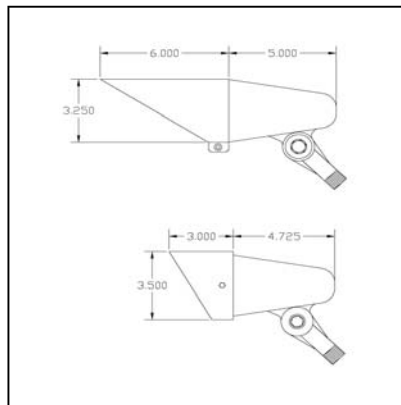
**Optics:** BR40 available with Flood (FL) or Spot (SP) optics for use with MP or MH E17 shaped lamps and spiral fluorescents.



BR40 Series



BR30 Series



BR20 Series



# Moon Visions Bullet Series Ordering Guide

Bullet Series	Optics	Finish	Shields & Accessories
<b>BR40</b>	R40 Reflector Lamps MV-175W R40 Max MP-100W R40 Max R38 PAR Lamps LED-22W PAR38 Max INC-250W PAR38 Max Fluor-23W PAR38 Max FL Flood Reflector-65° MV-175W E17 Max MH-175W E17 Max MP-175W E17 Max SP Spot Reflector-39° MV-175W E17 Max MH-175W E17 Max MP-175W E17 Max	-HGT Hartford Green Texture  -BZT Bronze Texture	DSA10-10" Angled Downshield DST10-5.75" Straight Tube Downshield  USR40-4" Cast Angled Upshield UST40-5" Tube Upshield with debris guard  TM-Tree Mount with mounting hardware TMB-Tree Mount Box with mounting hardware LGS-Large Ground Stake for Uplighting only INL-Internal Hexcell Louver
<b>BR30</b>	R30 Reflector Lamps MV-100W R30 Max MP-100W R30 Max R30 PAR Lamps LED-14W PAR30 Max MH-70W PAR30 Max INC-75W PAR30 Max Fluor-15W PAR30 Max	-HGT Hartford Green Texture  -BZT Bronze Texture	DSA8-8" Angled Downshield DST8-4.5" Straight Tube Downshield  USR30-3.5" Cast Angled Upshield UST30-4" Tube Upshield with debris guard  TM-Tree Mount with mounting hardware TMB-Tree Mount Box with mounting hardware LGS-Large Ground Stake for Uplighting only INL-Internal Hexcell Louver
<b>BR20</b>	R20 Reflector Lamps MV-50W R20 Max MP-50W R20 Max R20 PAR Lamps LED- 5W PAR20 Max MH-35W PAR20 Max INC-50W PAR20 Max Fluor-11W PAR20 Max	-HGT Hartford Green Texture  -BZT Bronze Texture	DSA6-6" Angled Downshield DST6-4" Straight Tube Downshield  USR20-3" Cast Angled Upshield UST20-3" Tube Upshield with debris guard  TM-Tree Mount with mounting hardware TMB-Tree Mount Box with mounting hardware LGS-Large Ground Stake for Uplighting only INL-Internal Hexcell Louver

**Ballast:** Required for Moon Pulse and Metal Halide lamps. Universal Lighting Technologies ballast housed in 6"x7"x4" steel box (for single ballast setups) or a 6"x12"x4" steel box (for double ballast setups). Ballast box is powder coated the same color as the fixture with the same 5 year warranty. Each MP or MH lamp requires one ballast. Wattage of the ballast must match the wattage of the lamp used.

Ballast	Wattage	Lamp	Voltage	Finish	Hub Mount
<b>RB (Remote Box)</b>	175	MH, MV	MT (120, 208, 240, 277V)	HGT BZT	H
	100	MH, MP			
	70				
	50				
	35	MH			



Tree Mount



Tree Mount Box



LGS



RB Single



RB w/ Hub



2RB Double



Project Name: \_\_\_\_\_ Fixture Type: \_\_\_\_\_

Catalog Part Number: \_\_\_\_\_

# BR30 R30 Lamp Options

## Mercury Vapor Moon Pulse Lamps for use with Metal Halide Ballasts

- HR100PS/R30 100W R30 MP (5700K)
  - HR75PS/R30 75W R30 MP (5700K)
  - HR50PS/R30 50W R30 MP (5700K)
- 

## Metal Halide Lamps

- 70MHPAR30L/FL 70W MH PAR30 Long-neck, 30° Flood
  - 70MHPAR30L/SP 70W MH PAR30 Long-neck, 10° Spot
- 

## LED Lamps

- LED MV R30 14W 5K 14W R30 Cool White (5000K)
    - 12 LEDs at 1.22 watts each
    - Available as 12V or 120V (remote transformer required for 12V applications)
    - Rated Life = 50,000 hours
    - Warranty = 3 years
    - Available in 25° (NFL) and 40° (FL) beam spreads
  - LED MV R30 14W 3.5K 14W R30 Warm White (3500K)
    - 12 LEDs at 1.22 watts each
    - Available as 12V or 120V (remote transformer required for 12V applications)
    - Rated Life = 50,000 hours
    - Warranty = 3 years
    - Available in 15° (SP) and 40° (FL) beam spreads
  - LED MV R30 7W 5K 7W R30 Cool White (5000K)
    - 6 LEDs at 1.22 watts each
    - Available as 12V or 120V (remote transformer required for 12V applications)
    - Rated Life = 50,000 hours
    - Warranty = 3 years
    - Available in 25° (NFL) and 40° (FL) beam spreads
  - LED MV R30 7W 3.5K 7W R30 Warm White (3500K)
    - 6 LEDs at 1.22 watts each
    - Available as 12V or 120V (remote transformer required for 12V applications)
    - Rated Life = 50,000 hours
    - Warranty = 3 years
    - Available in 40° (FL) beam spread
- 

## Halogen Lamps

- 75PAR30/LN/NFL/H 75 watt PAR30 130V Halogen 25° Narrow Flood
  - 75PAR30/LN/NSP/H 75 watt PAR30 130V Halogen 9° Narrow Spot
  - 50PAR30/LN/NFL/H 50 watt PAR30 130V Halogen 25° Narrow Flood
  - 50PAR30/LN/NSP/H 50 watt PAR30 130V Halogen 9° Narrow Spot
- 

## Fluorescent Lamps

- CFL 16W R30 6500K Equivalent to 50 watt halogen—Cool White
- CFL 16W R30 2700K Equivalent to 50 watt halogen—Warm White
- 15W PAR30 5000K Equivalent to 50 watt halogen—Cool White
- 15W PAR30 2700K Equivalent to 50 watt halogen—Warm White



Project Name: \_\_\_\_\_ Fixture Type: \_\_\_\_\_

Catalog Part Number: \_\_\_\_\_