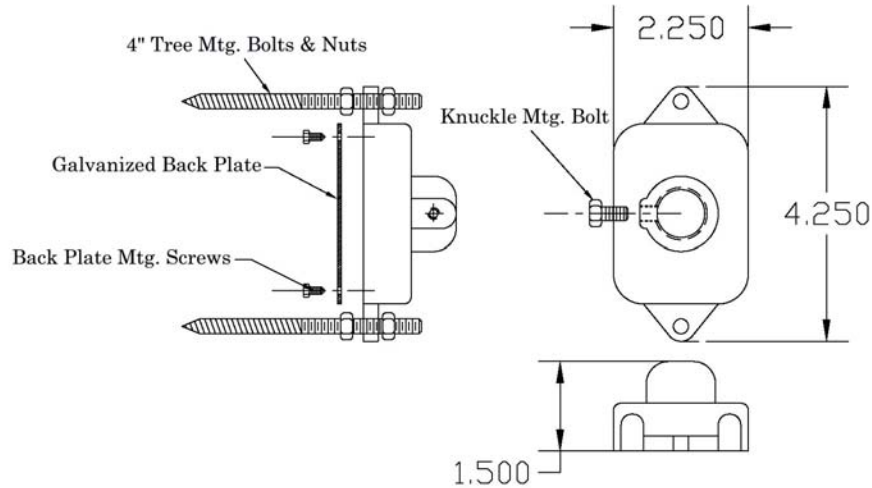


# Mounting Accessories

## TM Tree Mount

- All mounting hardware included:
  - (2) 4" Stainless Tree Bolts with (4) 1/4 x 20 nuts
  - (1) Galvanized back plate
  - (2) Back plate mounting screws
  - (1) Knuckle mounting stainless screw
- Comes standard with all downlight kits unless specified
- Available in textured finishes Hartford Green (HGT) or Bronze (BZT)



## TMB Tree Mount Box

- All mounting hardware included:
  - (2) 4" Stainless Tree Bolts with (4) 1/4 x 20 nuts
  - (1) Galvanized back plate
  - (2) Back plate mounting screws
  - (1) Knuckle mounting stainless screw
- Larger box with Neoprene Gasket
- 1/2-14 NPT inlet thread for cord grip/seal tite attachment
- For low voltage applications, use TMB box to house LET75 watt transformer
- Available in textured Bronze (BZT) finish

