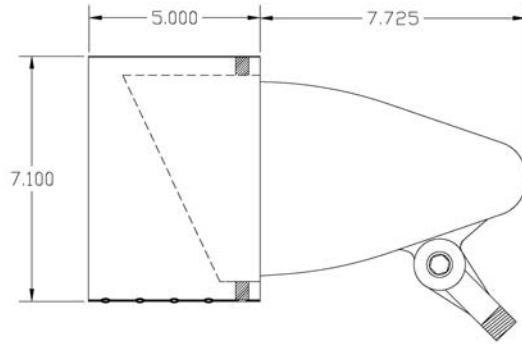




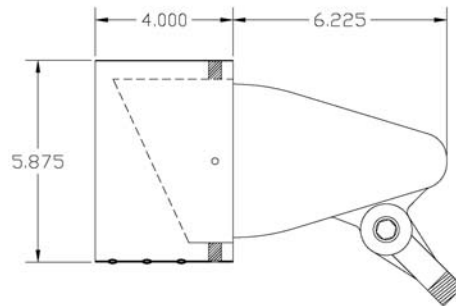
Tube Light Upshields

- Available in all three sizes: BR40 BR30 and BR20 in both 12V or 120V bullet setups
- Full straight upshield allows for minimal glare in all directions
- 1/2" gap around cast shield eliminates water and debris build up
- Fixture remains completely sealed
- Available in textured finishes Hartford Green (HGT) or Bronze (BZT)

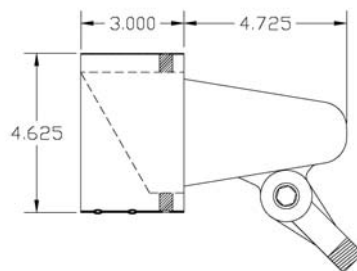
BR40 with UST40 Upshield



BR30 with UST30 Upshield



BR20 with UST20 Upshield



Project Name: _____

Fixture Type: _____

Catalog Part Number: _____