

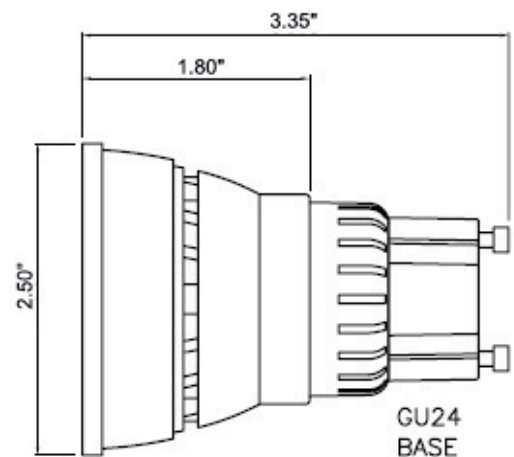


# Moon Visions Lighting LED 2.5W PAR20

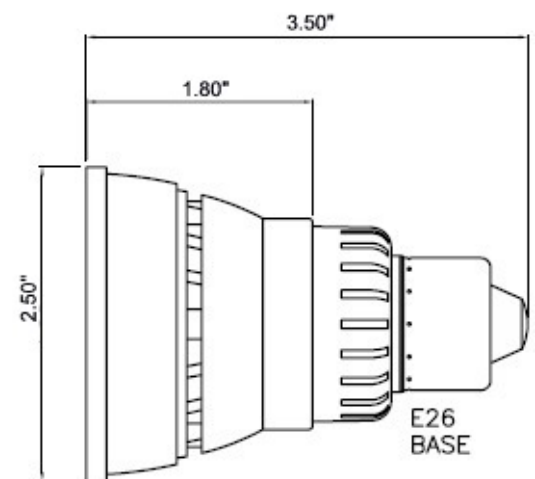
## Solid State LED PAR20 2.5W Lamp

### Features:

- 4 Super Bright LEDs operating at .625 Watt for total of 2.5 Watts
- Direct Lamp Replacement
- Low Heat generation with excellent heat sinks
- 12VAC - Operate between 8-14VAC
- Not Dimmable
- 3 Year Warranty
- Power Consumption = 2.5 Watts
- 20W Halogen Equivalent
- Beam Angle = FL 40°
- 5000K Cool White (190 lumens typical)
- 3500K Warm White (175 lumens typical)
- 2800K Super Warm White (165 lumens typical)
- Optional Spread and Green lenses available



LED MV 12V R20 2.5W



LED MV 120V R20 2.5W

### 12V Specifications:

- Unique 12V GU24 Twist-Lock base allows for maximum pin contact as well as "locked" socket to insure lamp security
- GU24 Base for high vibration tolerances and high heat tolerances
- Low voltage system requires transformer
- Please note this lamp is compatible with both magnetic and electronic transformers

### 120V Specifications:

- 120V E26 Medium Base
- No separate driver needed
- Direct lamp replacement

### Ordering Information:

